

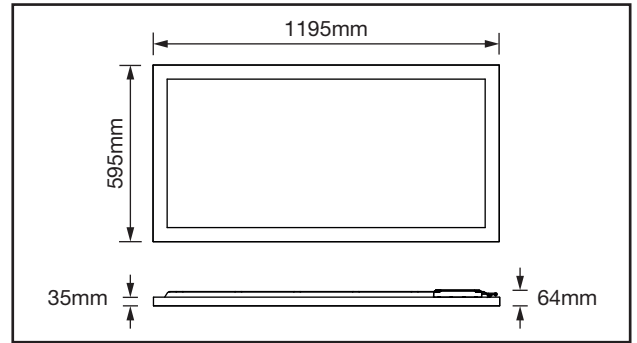
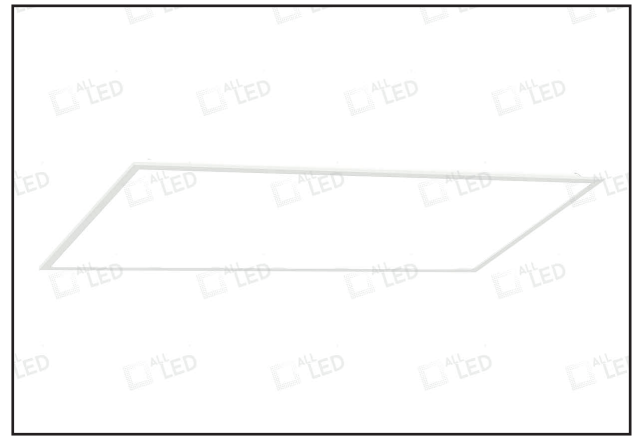
APNL1240A/CCT

40W IP20 1200x600 CCT Backlit LED Panel TP(a) Rated



PRODUCT FEATURES

- CCT Selectable (3000K, 4000K, 6500K)
- Back Lit LED Panel Suitable For Education, Commercial, Retail, Office And Ancillary Spaces
- 125lm/W
- White Painted Single Piece Frame (RAL9003)
- TP(a) Flame Retardant Opal Diffuser
- UV Stable
- Flicker Free
- UGR <19 Glare Rating
- 5 Year Guarantee
- Plug & Play Emergency Pack Options Available - APNL1240A/CCT/EM, APNL1240A/CCT/0-10/EM, APNL1240A/CCT/DALI/EM
- 0-10V Dimming Or DALI Options Available - APNL1240A/CCT/0-10, APNL1240A/CCT/DALI
- Pre-Wired LED Driver & DC Connector



TECHNICAL SPECIFICATIONS

Product Code	APNL1240A/CCT		
	Luminous Flux (LM)	4730lm	5000lm
Useful Luminous Flux (LM)	4730lm	5000lm	4870lm
CCT (Kelvin)	3000K	4000K	6500K
Beam Angle (°)	120°		
SDCM	<6		
CRI	>80		
Peak Intensity (cd)	1636cd	1735cd	1685cd
Operating Voltage (V)	220-240V AC		
Max Output Power (W)	40W		
Operating Current (A max)	0.18A		
No Load Power (W)	<0.5W		
Power Factor (Pf)	>0.95		
Class	II		
Driver Efficiency %	95%		
Body Material	Aluminium		
Frame Colour	White		
Switching Cycles	20,000		
Ingress Protection	IP20		
Ambient Operating Temperature (°C)	-10°C ~ 45°C		
Input Frequency (Hz)	50/60Hz		
Guarantee	5 Years		
Lifetime (L70 B50)	50,000 Hrs		
Survival Factor	0.9		
Lumen Maintenance Factor	0.96		
Displacement Factor	>0.9		
Flicker Metric (PstLM)	<1		
Stroboscopic Effect Metric (SVM)	<0.4		
UGR Rating	19		

Standard
ANPL1240A/CCT

0-10V Version
ANPL1240A/CCT/1-10

DALI Version
ANPL1240A/CCT/DALI

Emergency Version
ANPL1240A/CCT/EM

0-10V Emergency Version
ANPL1240A/CCT/1-10/EM

DALI Emergency Version
ANPL1240A/CCT/DALI/EM

